



2FT 150W LED Linear High bay Light

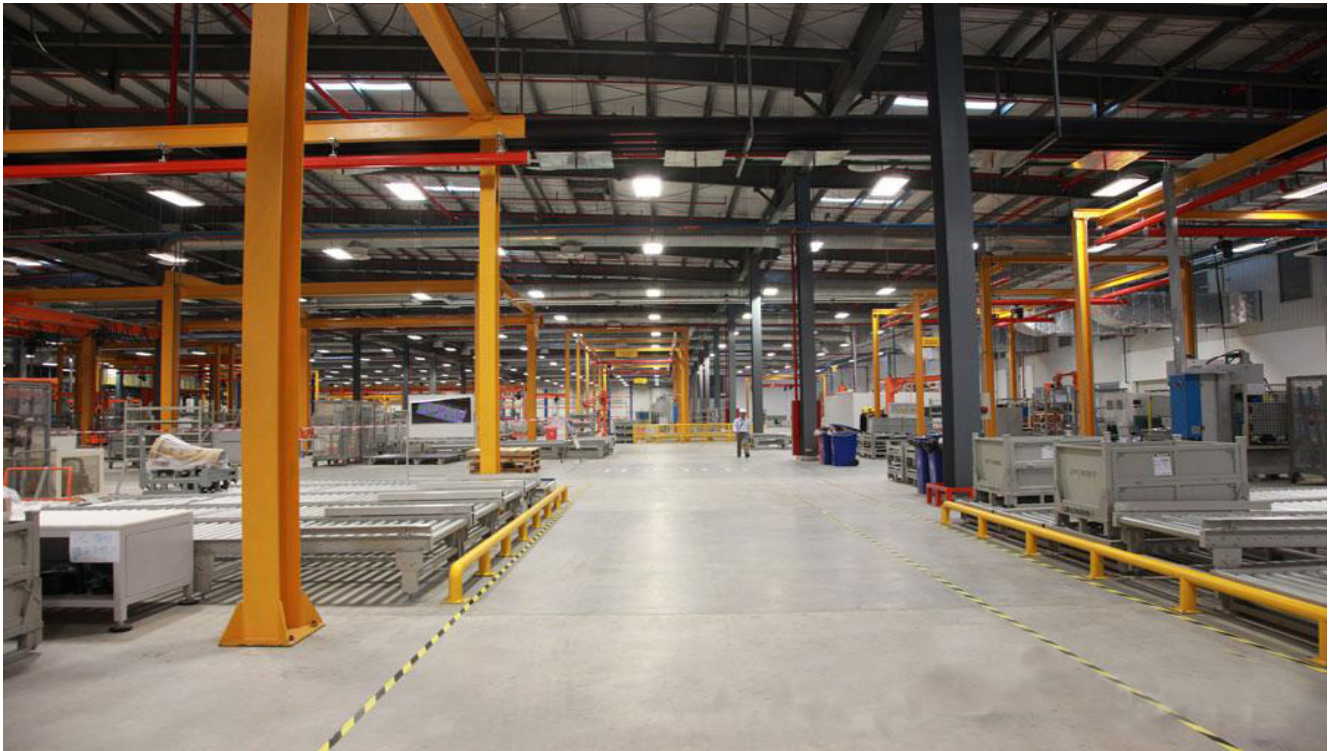


Features

- Lumileds LED, high luminous efficiency and long working life.
- High efficiency LED Driver, the wide range input voltage AC120-277V.
- Die Cast aluminium cooling design, high quality and better cooling for LED $T_j < 85^\circ\text{C}$.
- Excellent Optics design, greatly improve the light utilization and evenness.
- Motion sensor Control Available (Option)

Product Applications

WISDOM 2FT 150W LED Linear High bay Light series can be widely used in indoor lighting(location),like Warehouse, Gymnasium, Supermarket,Workshop, Toll booth, Waiting rooms, platforms of railway station etc.



WISDOM OPTOELECTRONICS TECHNOLOGY CO., LIMITED
 Add: FLOOR 8,BUILDING B1 SUNSHINE INDUSTRIAL PARK HEZHOU
 XIXIANG BAOAN DISTRICT SHENZHEN, GUANGDONG , CHINA, 518126.

Tel: +86 755 2744 8585
 +86 755 2744 8884
 Fax: +86 755 2744 8089
 Email: leo.zhu@wisdom-ssl.com
 Website: www.wisdom-ssl.com

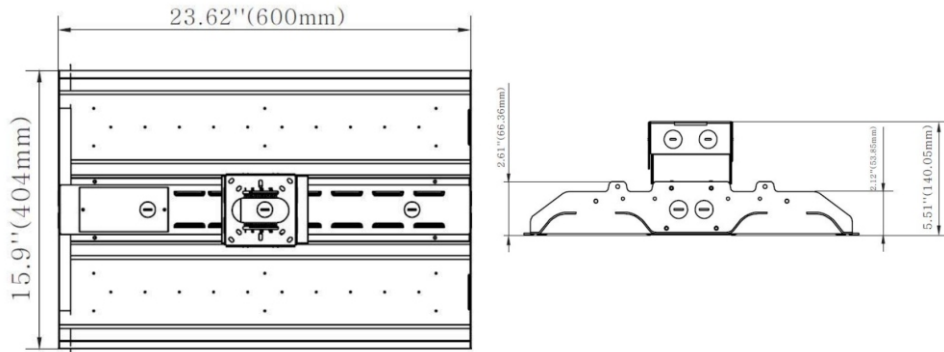


Specifications

Unit : inch(mm)

Structure Features

- Shell materials: Aluminum & PC.
- Finish: White
- Net weight : 5.8Kg (12.76 lbs)
- Product Size:600mm*404mm*66.36mm
- Carton Size:660mm*470mm*155mm

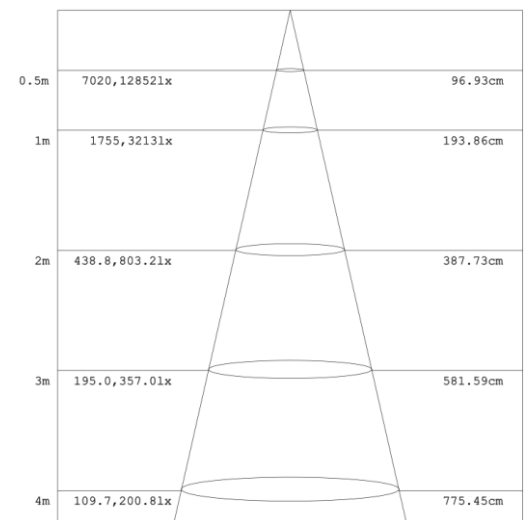
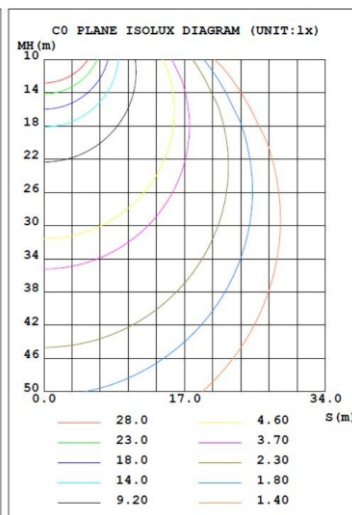
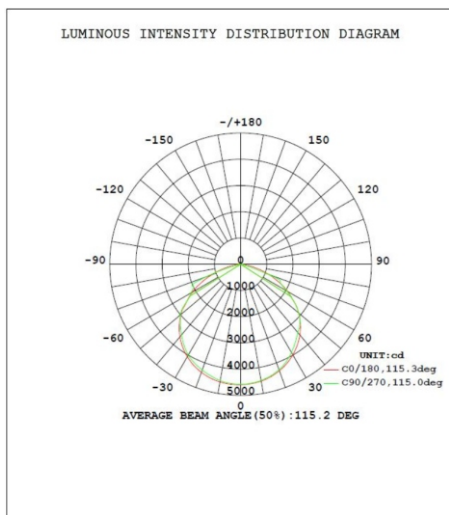


Technical Parameters

WSD-2FLHB15W27-XXK

Power	150W	Lighting Angle	115°
Input Voltage	AC120-277V	LED Brightness Decay	<5%/6000 hrs
PF	>0.95	Working Life	>50000 hrs
Driver Efficiency	>90%	Working Temperature	-30 - +45°C
Luminous Flux	20430 Lm	Storage Temperature	-40 - +80°C
Color Temperature	4000K/5000K	Protection Level	Damp
CRI	Ra>80	LED Driver	SOSEN
Optional dimming function	1-10Vdc		

Photometry



Example:WSD-2FLHB15W27-XXK

WSD	LHB	15W	27	XXK
Company	Product	Power	Voltage	Color Temp
	LHB	15W(150W)	27	40K(4000K)
WISDOM	Linear High bay Light		AC120-277V	50K(5000K)±500K

WISDOM OPTOELECTRONICS TECHNOLOGY CO.,LIMITED

Add: FLOOR 8,BUILDING B1 SUNSHINE INDUSTRIAL PARK HEZHOU
XIXIANG BAOAN DISTRICT SHENZHEN, GUANGDONG, CHINA, 518126.

Tel: +86 755 2744 8585
+86 755 2744 8884

Fax:+86 755 2744 8089

Email: leo.zhu@wisdom-ssl.com

Website: www.wisdom-ssl.com