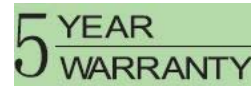


## Product Features



- High efficiency LED Driver, the wide range input voltage AC120-277V or AC200-480V;
- Lumileds LED high luminous efficiency and long life.
- Cast aluminium design, better cooling and easy replacement, light quality, LED Tj < 85°C.
- Excellent optical design, greatly improve the light utilization and evenness.
- Photocell Control and Motion Sensor Available (Option)



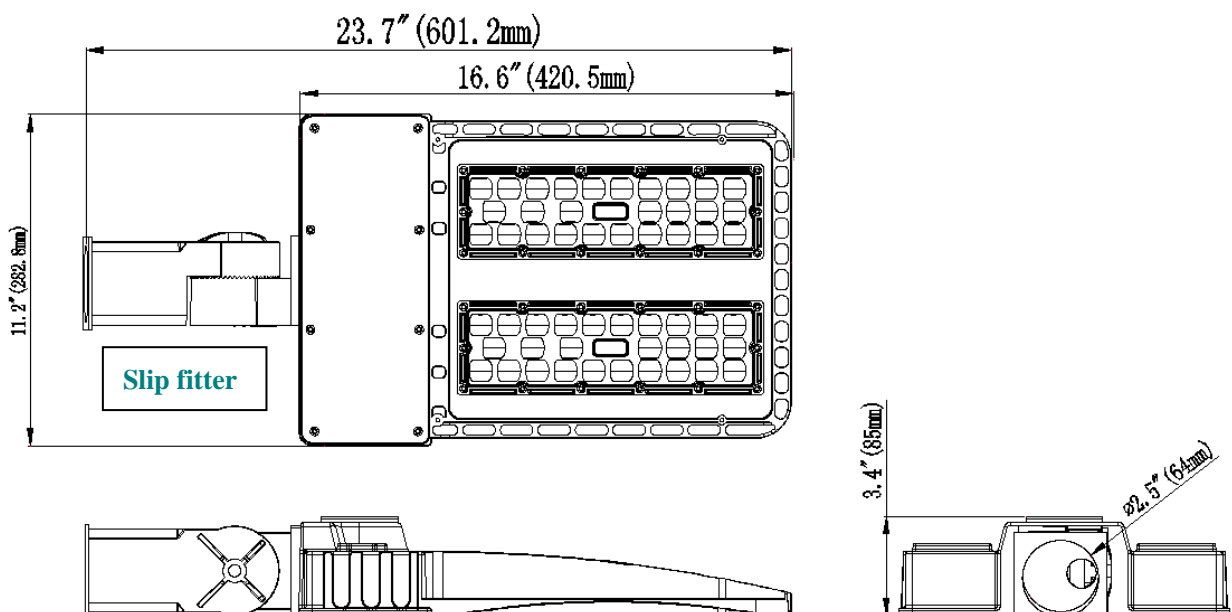
## Product Applications

WSD LED SHOEBOX AREA LIGHT series can be widely used in Urban roads, Industrial areas, Residential areas, Sidewalks, Parking lot, Schools, Gardens and etc.

## Structure Features

- Shell materials: Aluminum & PC.
- Finish: Dark Bronze/White
- Net weight: 6.00kgs (13.23 lbs)
- Packing Size: 26 " \* 13.8 " \* 7.3 " (660 \* 350 \* 185mm)

Unit: inch(mm)

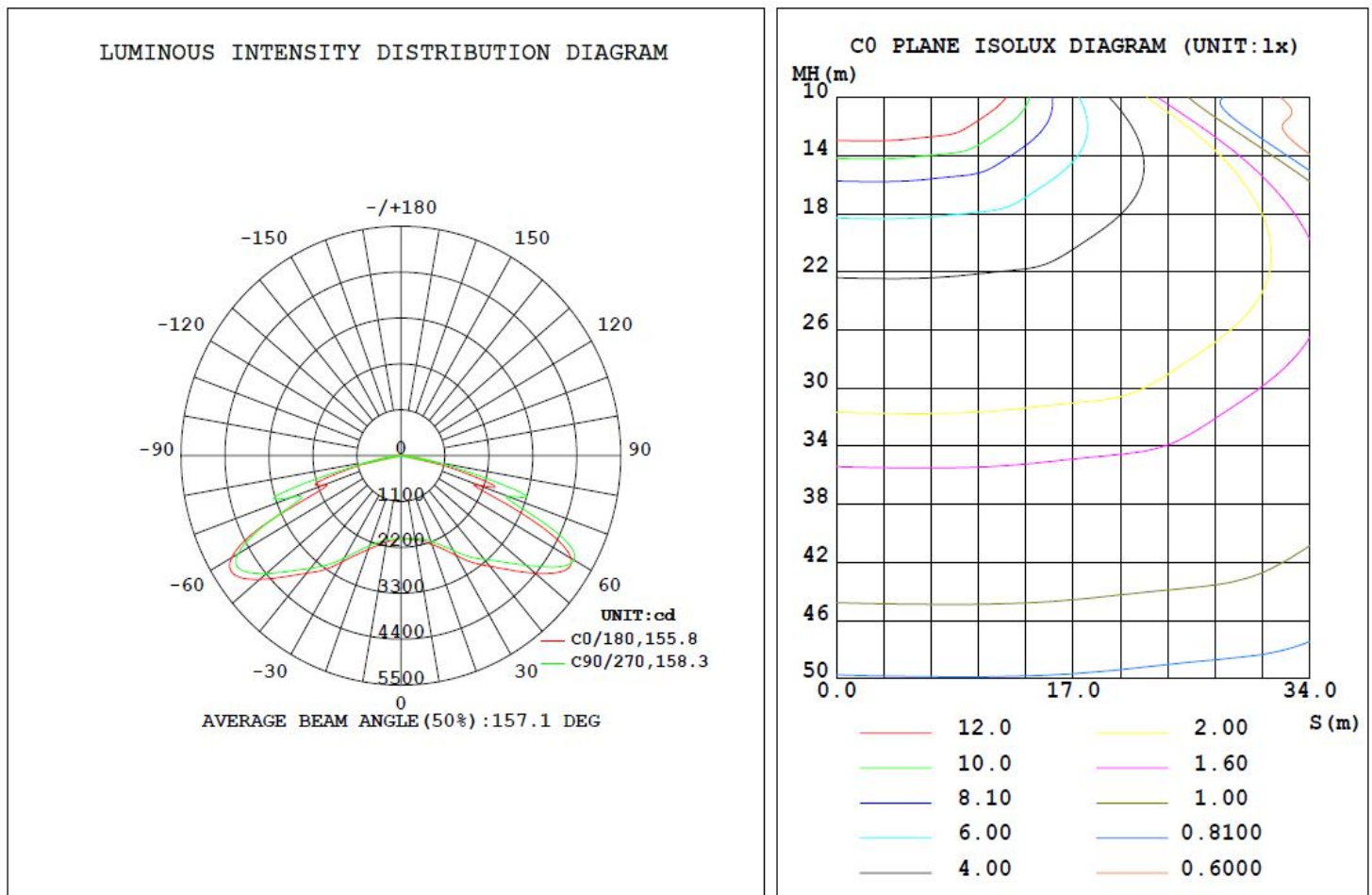




## ■ Technical Parameters

Type	WSD-SB15W27-40K-Z-TN-U-Y WSD-SB15W48-40K-Z-TN-U-Y		
Power	150W	Lighting Angle	Type II, Type III, Type V
Input Voltage	AC120-277V AC200-480V	LED Brightness Decay	<5%/6000 hrs
PF	>0.95	Working Life	>50000 hrs
Driver Efficiency	>90%	Working Temperature	-30 - +45°C
Luminous Flux	18670Lm	Storage Temperature	-40 -+80°C
Color Temperature	4000K/5000K/5700K	Protection Level	Wet Location/IP65
CRI	Ra>80	Cable	3 core, 18AWG

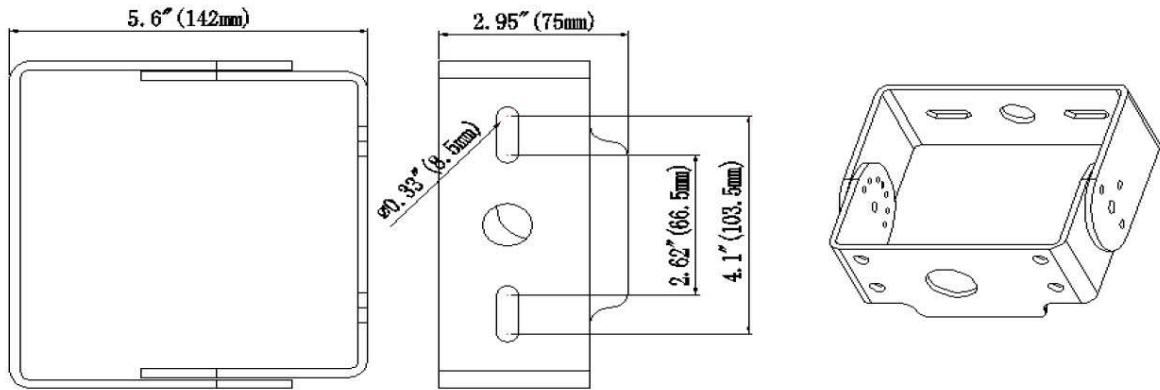
## ■ Photometry and Type V:



## ■ Accessory Option:

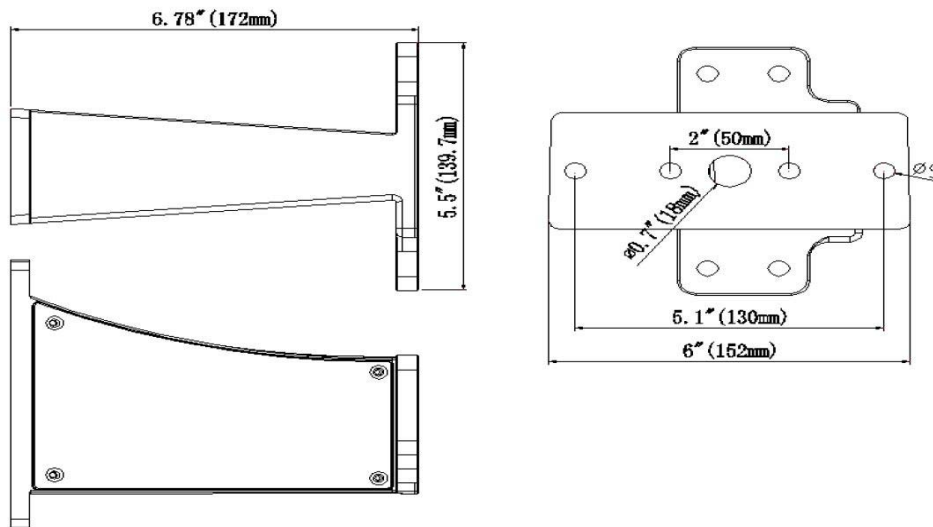
### II T: TRUNNION MOUNTING

Dimensions of the trunnion

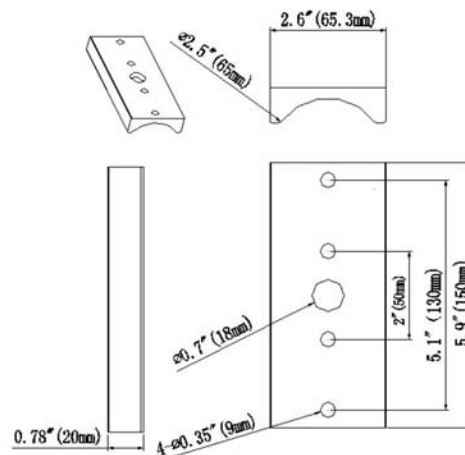


### III A1: ARM MOUNTING FOR SQUARE POLE

Arm dimensions



## ■ ARM Adaptor for Round Pole:





## ● ORDERING INFORMATION:

**EXAMPLE: WSD-SB 15W 27-40K-D-T5-S-P**

WSD	SB	10W	27	50K	D	T5	S	P
Company	Product	Power	Voltage	Color Temp	Finish	IES	Mount	Control
WISDOM	SB SHOEBOX LIGHT	06W(60W)	27	40K (4000K)	D	T2	S	P
		10W(100W)	AC120-277V	50K (5000K)	Dark	TypeII	Slip fitter	120-277V
		15W(150W)	48	57K (5700K)	Bronze	T3	T	Photocell
		20W(200W)	AC200-480V	± 500K	W	TypeIII	Trunion	10V
		30W(300W)			White	T5 TypeV	A Arm	Dimming1-10V M Motion Sensor

While “XX” may be any digits represented color temperature;  
 “Z” may be D or W represented color,  
 “N” can be 2, 3 or 5 represented type of lighting distribution;  
 “U” can be S, A or T mounting.  
 “Y” may be “P” or blank represented type of photoelectric Switches  
 “10V” be dimming 1-10V Control  
 “M” be Motion Sensor Control.

## ■ Product Certifications



## ■ Contact Us

### WISDOM OPTOELECTRONICS TECHNOLOGY CO.,LIMITED

Tel: +86 755 2744 8585 +86 755 2744 8884

Fax: +86 755 2744 8089

Email: leo.zhu@wisdom-ssl.com

Website: www.wisdom-ssl.com

Add: FLOOR 8,BUILDING B2 SUNSHINE INDUSTRIAL PARK HEZHOU XIXIANG  
 BAOAN DISTRICT SHENZHEN, GUANGDONG , CHINA, 518126,